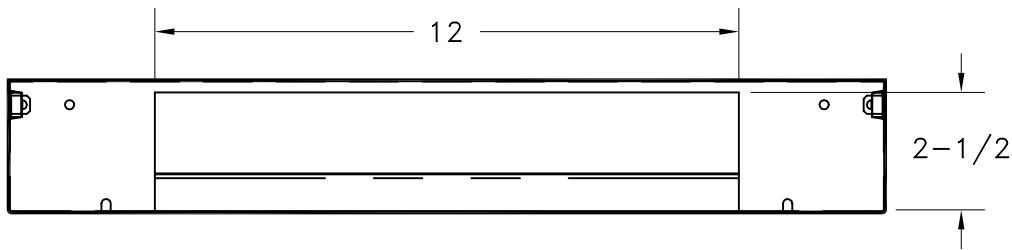
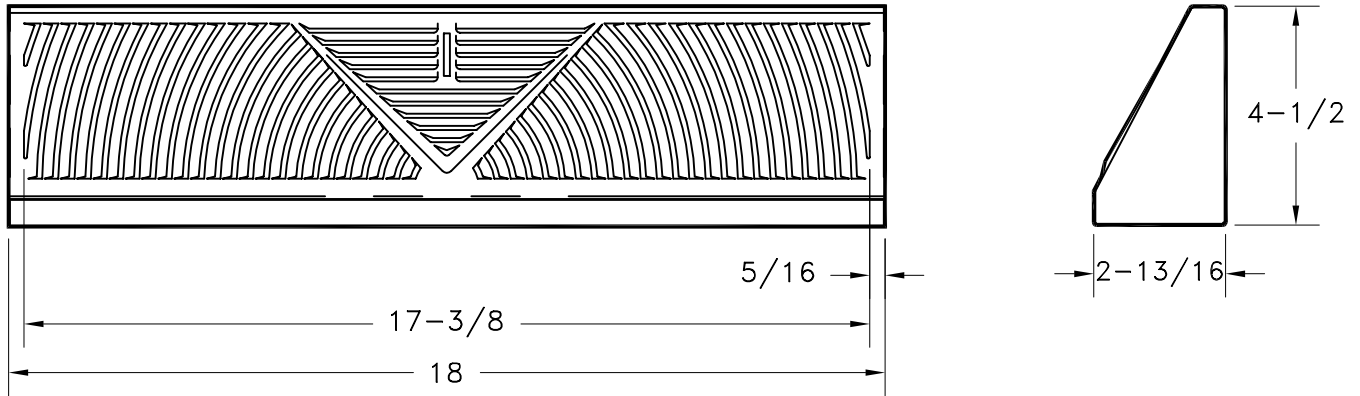


- ALL STEEL CONSTRUCTION
- 38 SQUARE INCHES OF FREE AREA
- SNAP IN FACE FOR EASE OF INSTALLATION
- FINISH: WHITE (W) OR GOLDEN SAND (GS) ENAMEL



BOTTOM VIEW

JOB NAME: _____	SUBMITTED BY: _____	DATE: 11/9/01	SD-2011
LOCATION: _____		407 Return Grille	
ARCHITECT: _____			
ENGINEER: _____			
CONTRACTOR: _____			